

Match Box 1 and Box 3

Need matches in a hurry? Wagner Match offers the quickest turn around in the industry. Box 1, Box 3 and match-books are available in just 2 weeks from art approval. Still not quick enough? We offer a 5 working day turn around for just \$150.00 additional Rush Fee. Prices listed below are per thousand. Art and plate charges will be assessed on all first-time orders. Match tips are only available in white or red. **Minimum order is 5,000.**

Box 1 & 3 Base Prices

	5,000	10,000	25,000	50,000	100,000
BOX 1	139.46	110.14	97.83	89.88	87.08
BOX 3	164.43	134.19	120.84	112.53	109.51
EXTRA COLOR	14.07	10.38	7.52	5.84	5.22

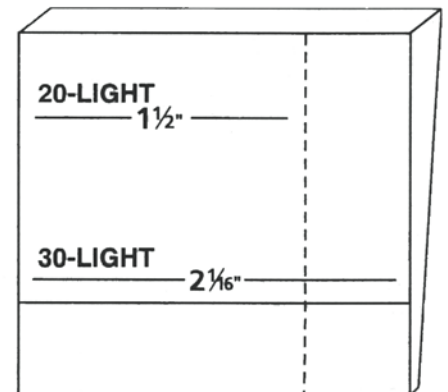
BOOK MATCHES

Base Prices

	5,000	10,000	25,000	50,000	100,000
20-LIGHT	80.31	61.60	51.59	43.23	35.67
EXTRA COLOR	14.42	11.50	9.60	7.94	6.22
30-LIGHT	107.60	87.69	71.14	58.37	44.14
EXTRA COLOR	17.30	16.22	10.47	9.42	8.77

Matchbooks
(actual size)

AMERICAN PRODUCTION PRICES
Base prices include 1 color on white shinekote for Domestic production. Prices are given per 1,000 books.



OVERSEAS PRODUCTION PRICES

Base prices include 2 colors on DC board with vinyl coating. Color coordinated match tips/white stem. Prices are given per 1,000 books. F.O.B. San Francisco, CA.

Base Prices

	5,000	10,000	15,000	30,000	50,000	120,000	250,000
20-LIGHT	106.43	91.76	79.22	68.20	62.83	58.68	57.56
30-LIGHT	136.71	112.42	96.02	88.25	79.93	79.79	73.32
EXTRA COLOR	11.12	9.80	8.47	5.03	4.35	4.00	3.63

DRINK COASTERS

Many different kinds of high-quality board available, with so many options, please contact us for a custom quote.